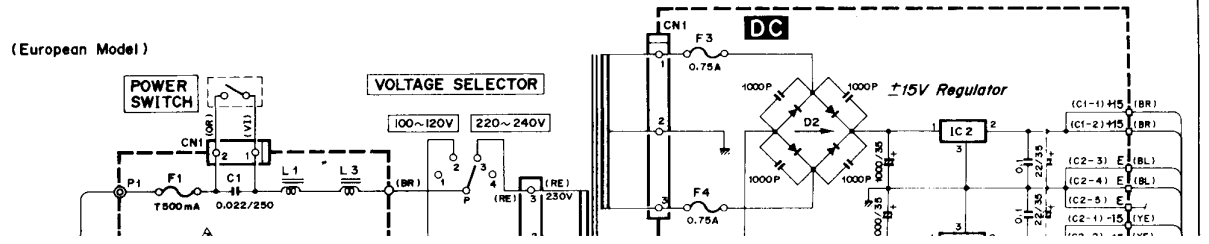
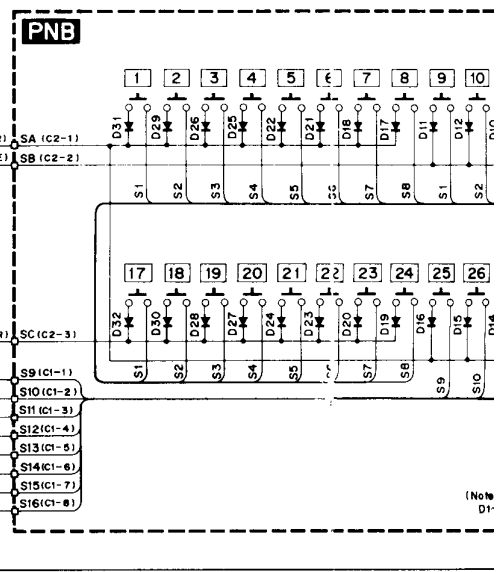
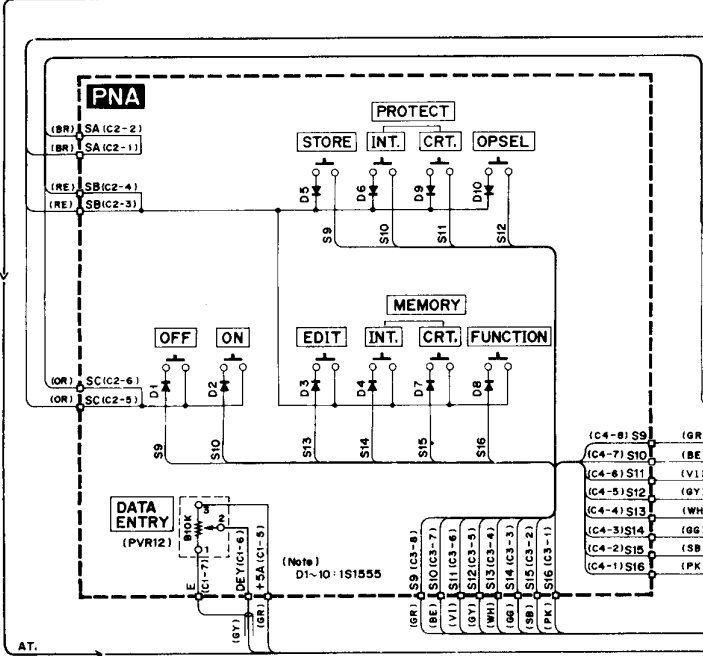
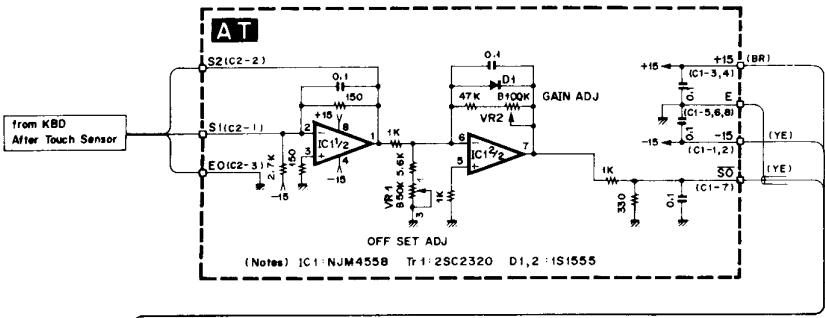
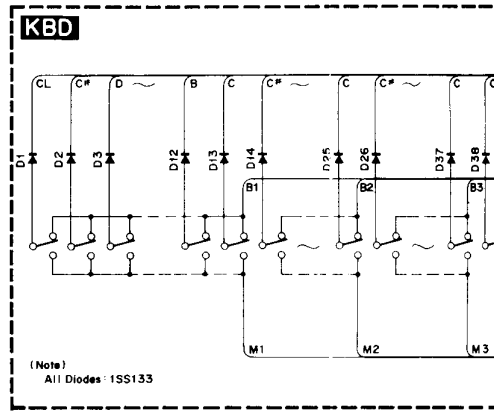
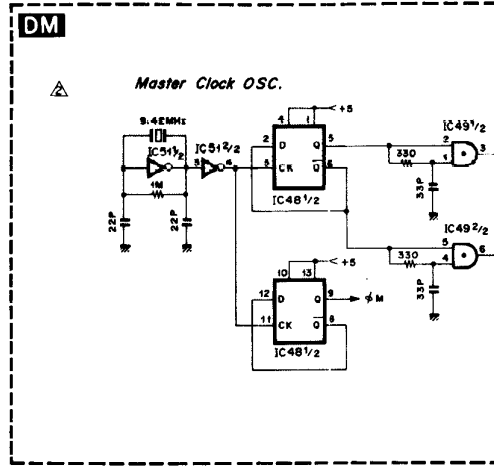


bleeps  
and  
peeps

[WWW.BLEEPS-AND-PEEPS.COM](http://WWW.BLEEPS-AND-PEEPS.COM)

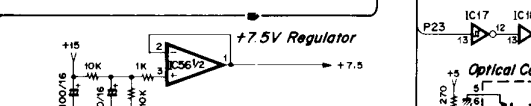
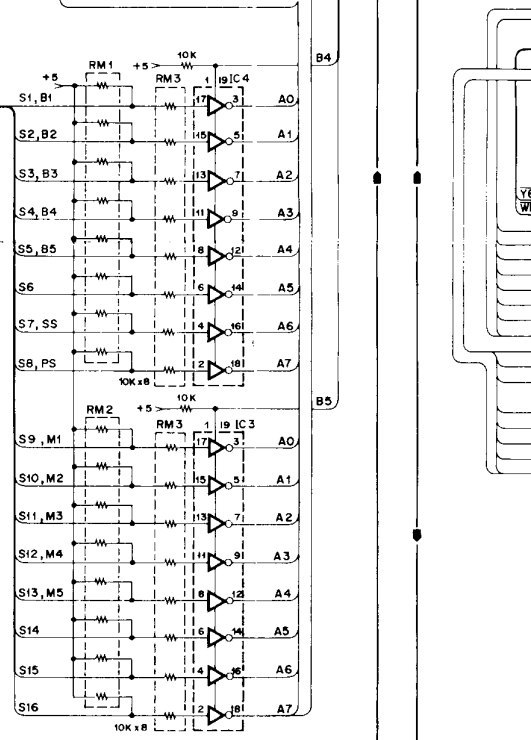
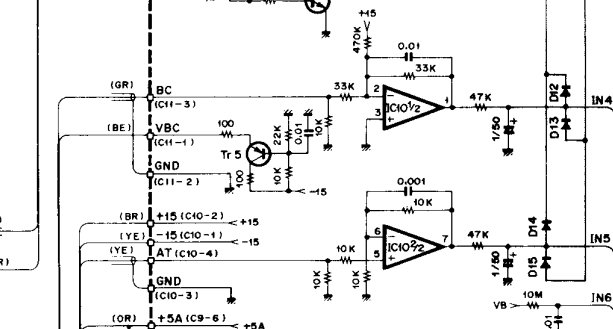
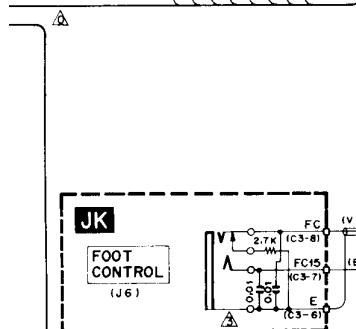
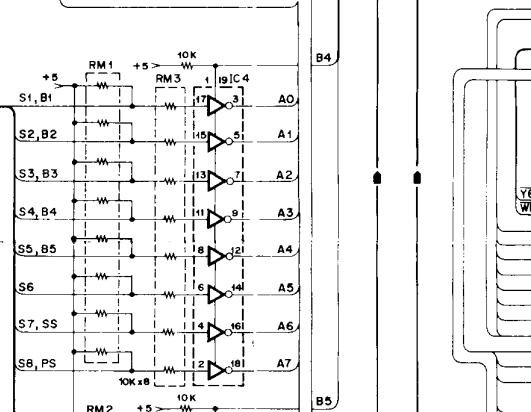
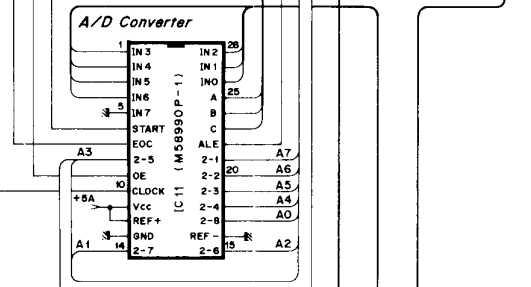
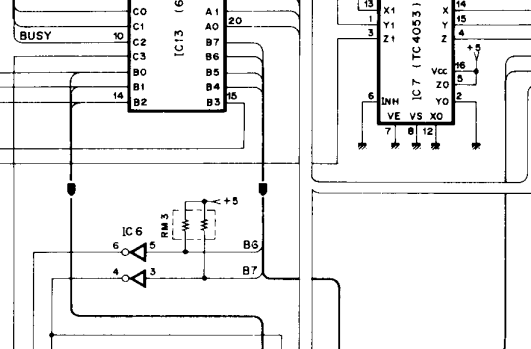
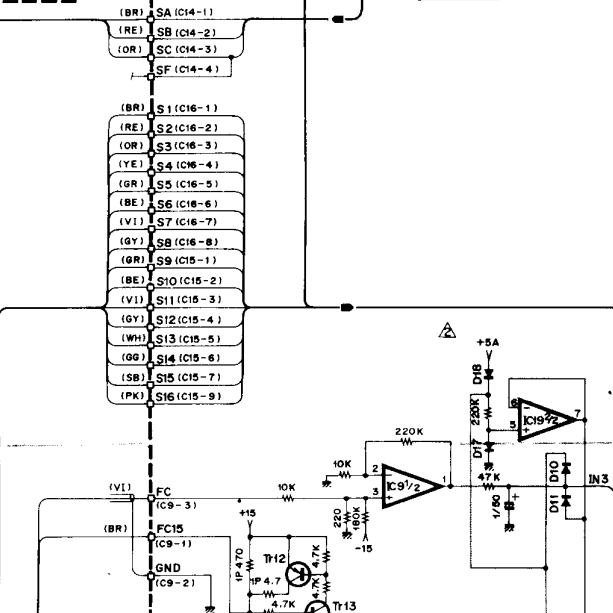
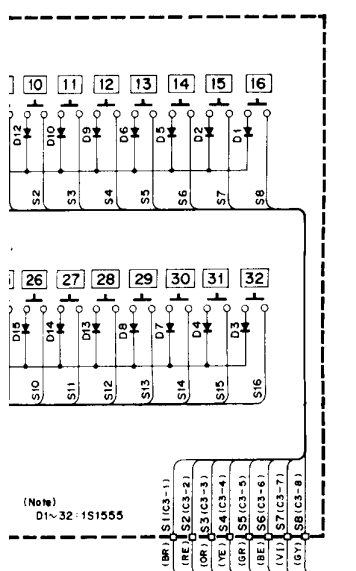
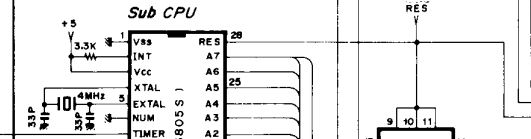
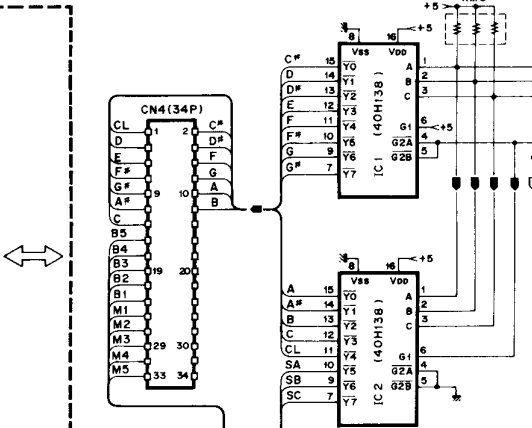
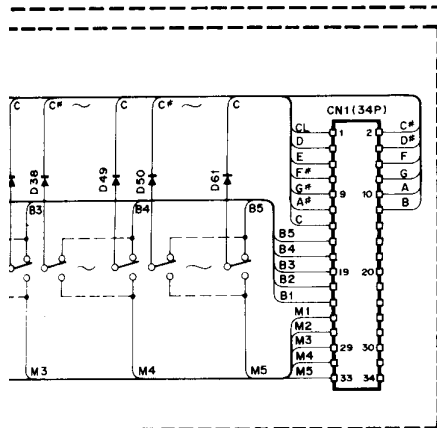
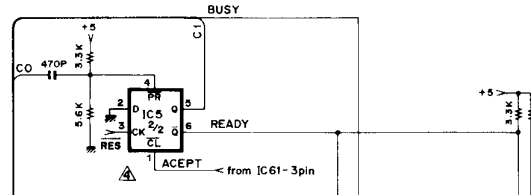
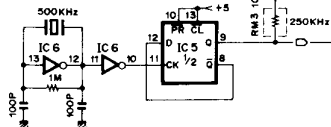
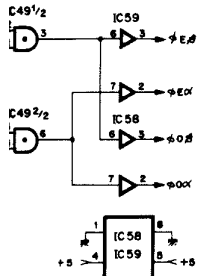


E

F

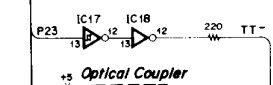
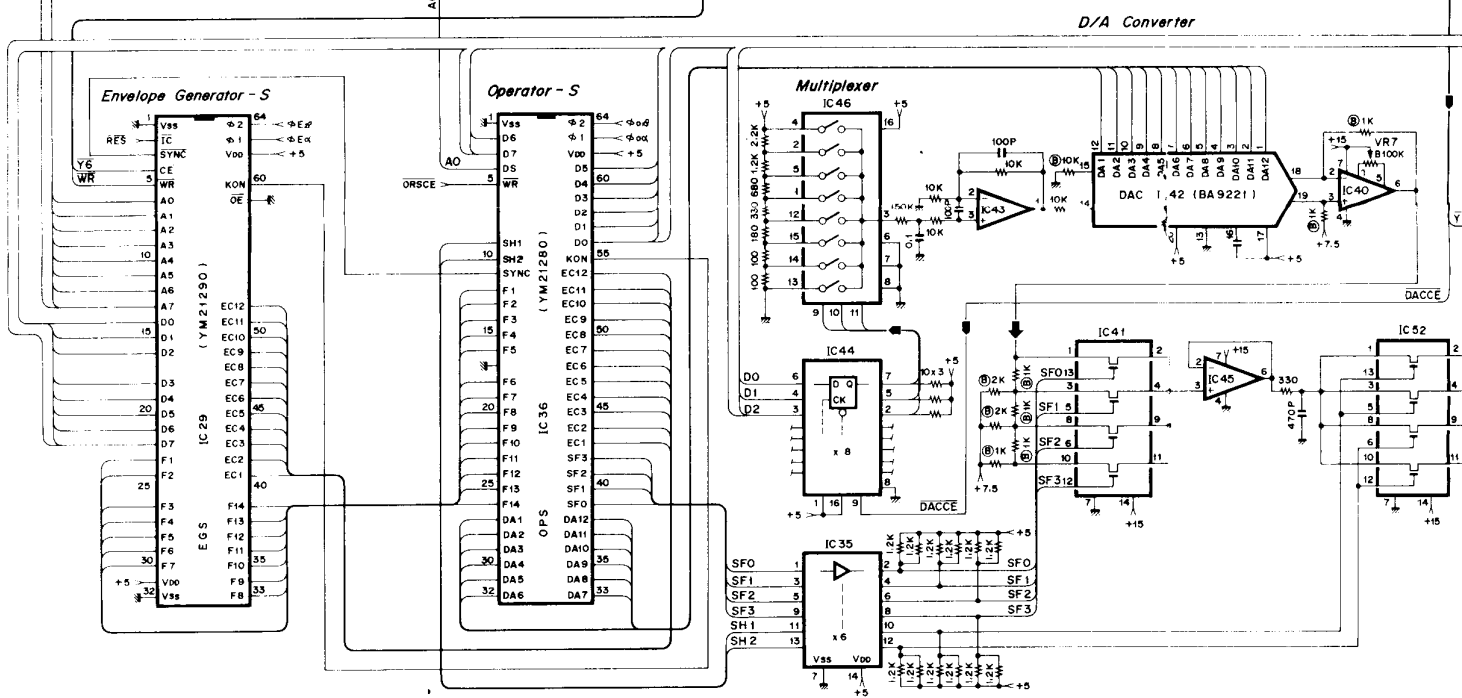
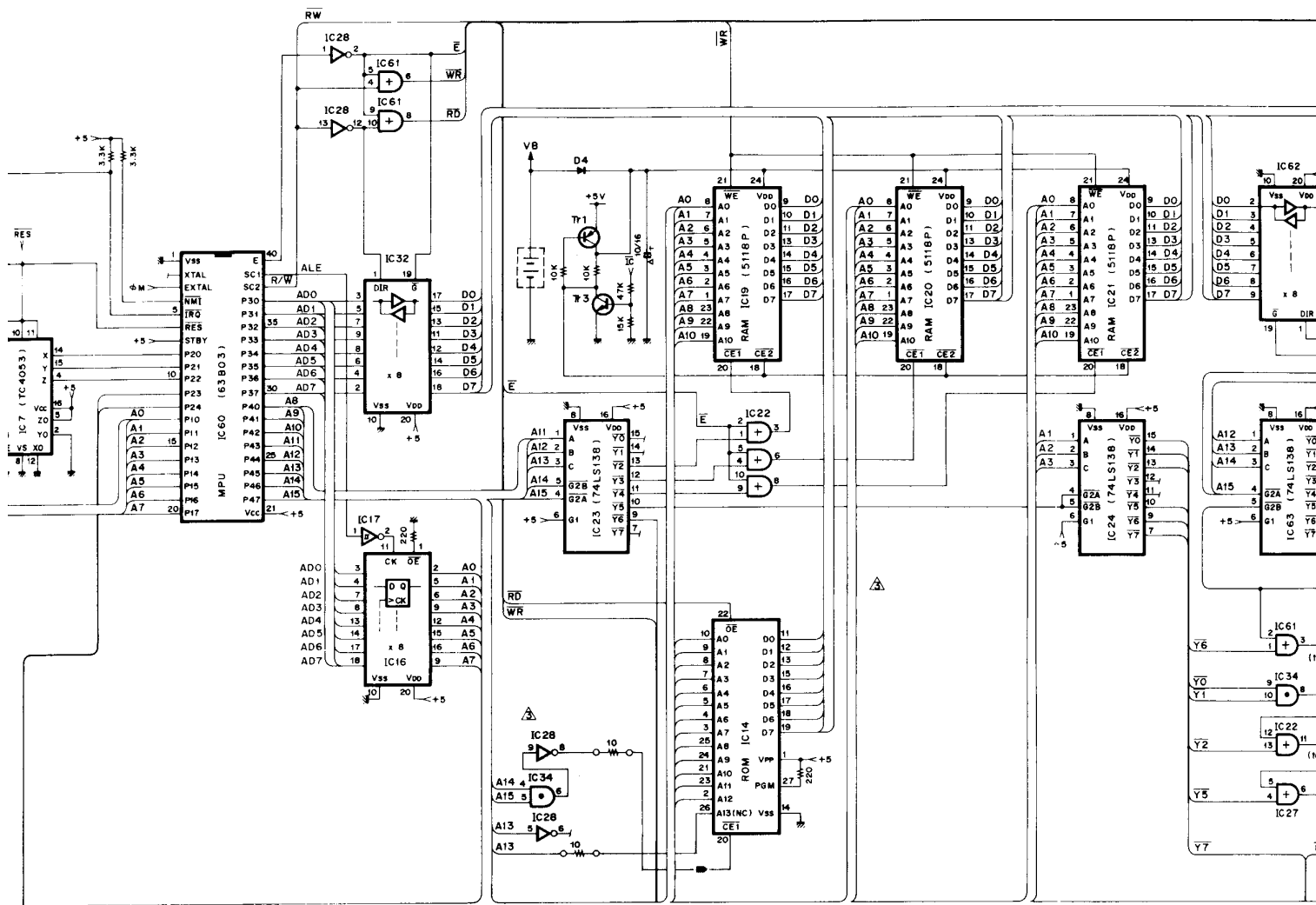
G

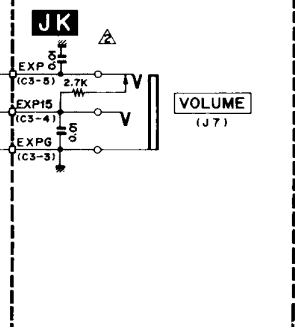
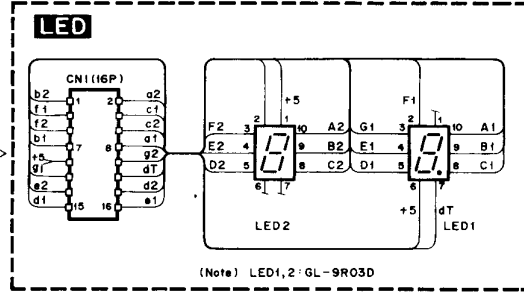
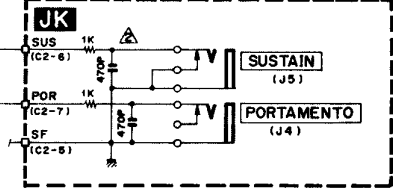
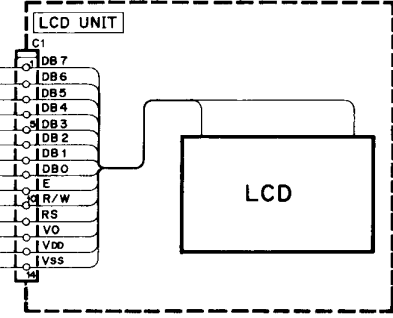
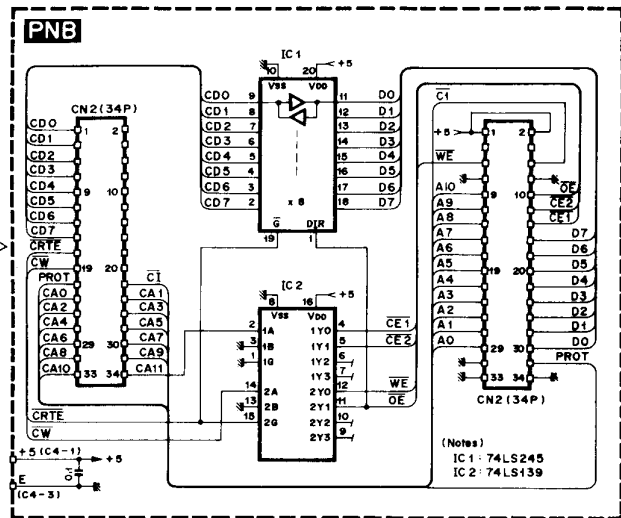
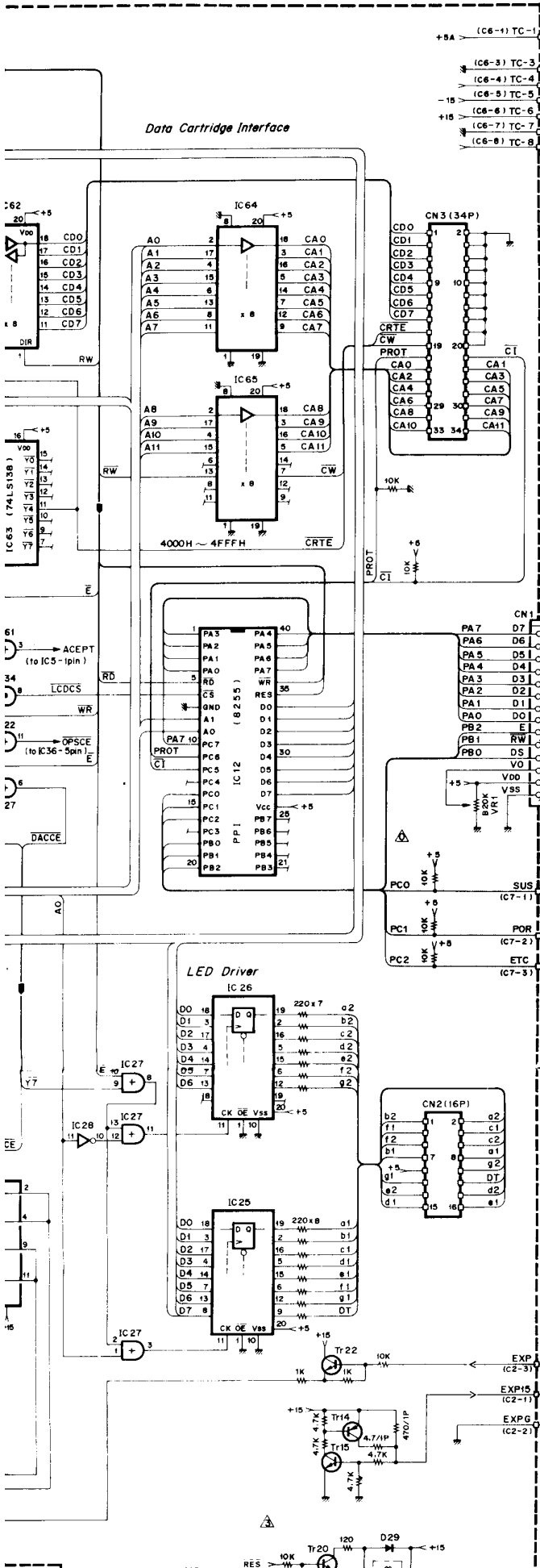
H



(Note) D1~32: 1S1555  
(BR) S1 (C16-1)  
(RE) S2 (C16-2)  
(OR) S3 (C16-3)  
(YE) S4 (C16-4)  
(GR) S5 (C16-5)  
(BE) S6 (C16-6)  
(VI) S7 (C16-7)  
(GY) S8 (C16-8)  
(BE) S10 (C15-2)  
(VI) S11 (C15-3)  
(GY) S12 (C15-4)  
(WH) S13 (C15-5)  
(GO) S14 (C15-6)  
(SB) S15 (C15-7)  
(PK) S16 (C15-9)

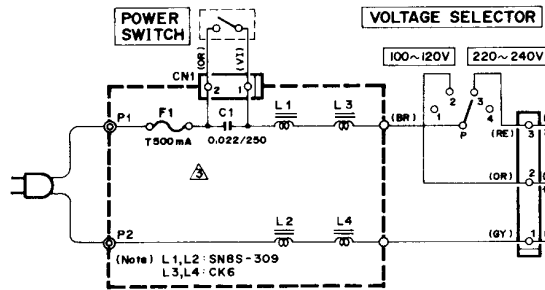
P23 IC17 IC1E  
Optocal Co





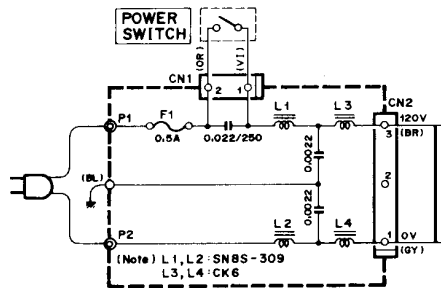
6

(European Model)



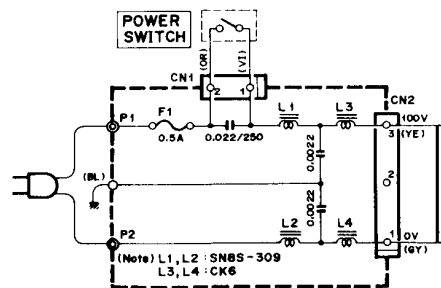
7

(U.S. Model)

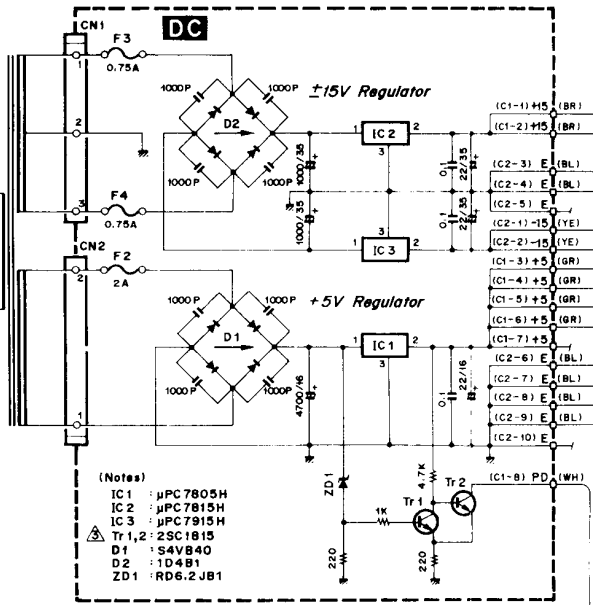
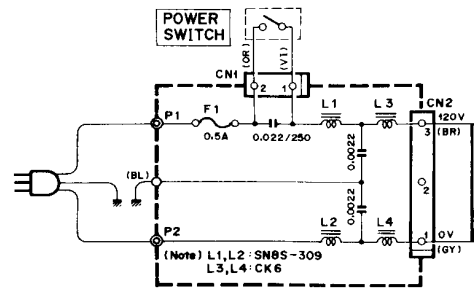


8

(Japanese Model)



(Canadian Model)



9

DM

**C1**

Pin No.	Pin Name	Wire Color	Destination
1	VR1	S BR S	PNA-VR1 (C1-3)
2	VR2	S RE S	PNA-VR2 (C1-2)
3	VR3	S BR	PNA-VR3 (C1-1)

**C2**

Pin No.	Pin Name	Wire Color	Destination
1	EXP15	BR	JK-EXP15 (C3-4)
2	EXPG	BL	JK-EXPG (C3-3)
3	EXP	WH	JK-EXP (C3-5)
4	OUT	S OR	JK-OUT (C3-2)
5	E	S OR S	JK-E (C3-1)

**C3**

Pin No.	Pin Name	Wire Color	Destination
1	HPG	BL	HP/BC-HPG (C-1)
2	HPR	RE	HP/BC-HPR (C-2)
3	HPL	OR	HP/BC-HPL (C-3)

**C4**

Pin No.	Pin Name	Wire Color	Destination
1	+15	BR	DC+15 (C5-1)
2	+15	BR	DC+15 (C5-2)
3	AE	BL	DC-E (C6-3)
4	AE	BL	DC-E (C6-4)
5	-15	YE	DC-15 (C6-1)
6	-15	YE	DC-15 (C6-2)
7	-	-	-

**C5**

Pin No.	Pin Name	Wire Color	Destination
1	PB	S RE	PB-PB (C-3)
2	+5A	OR	PB+5A (C-4)
3	PB2.5	BL	PB-PB2.5 (C-1)
4	GND	S RE S	PB-GND (C-2)
5	-	-	-

**C6**

Pin No.	Pin Name	Wire Color	Destination
1	+5A	-	-
2	-	-	-
3	+15	-	-
4	AE	-	-
5	-15	-	-
6	+5	-	-
7	V <sub>ss</sub>	-	-
8	PB2.5	-	-

**C7**

Pin No.	Pin Name	Wire Color	Destination
1	SUS	SB	JK-SUS (C2-2)
2	POR	PK	JK-POR (C2-3)
3	ETC	-	-

**C8**

Pin No.	Pin Name	Wire Color	Destination
1	TT+	PK	JK-TT+ (C1-7)
2	TT-	RE	JK-TT- (C1-6)
3	R+	GG	JK-R+ (C1-2)
4	R-	GR	JK-R- (C1-1)
5	T+	SB	JK-T+ (C1-5)
6	T-	BE	JK-T- (C1-4)
7	GND	BL	JK-GND (C1-3)
8	-	-	-

**C9**

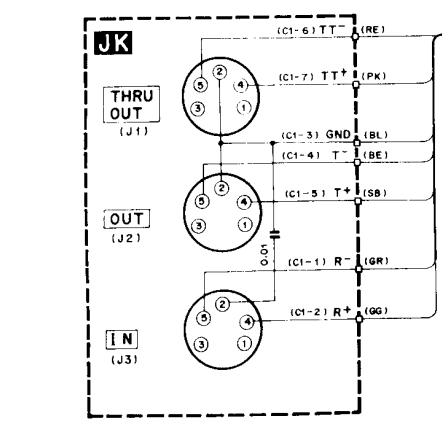
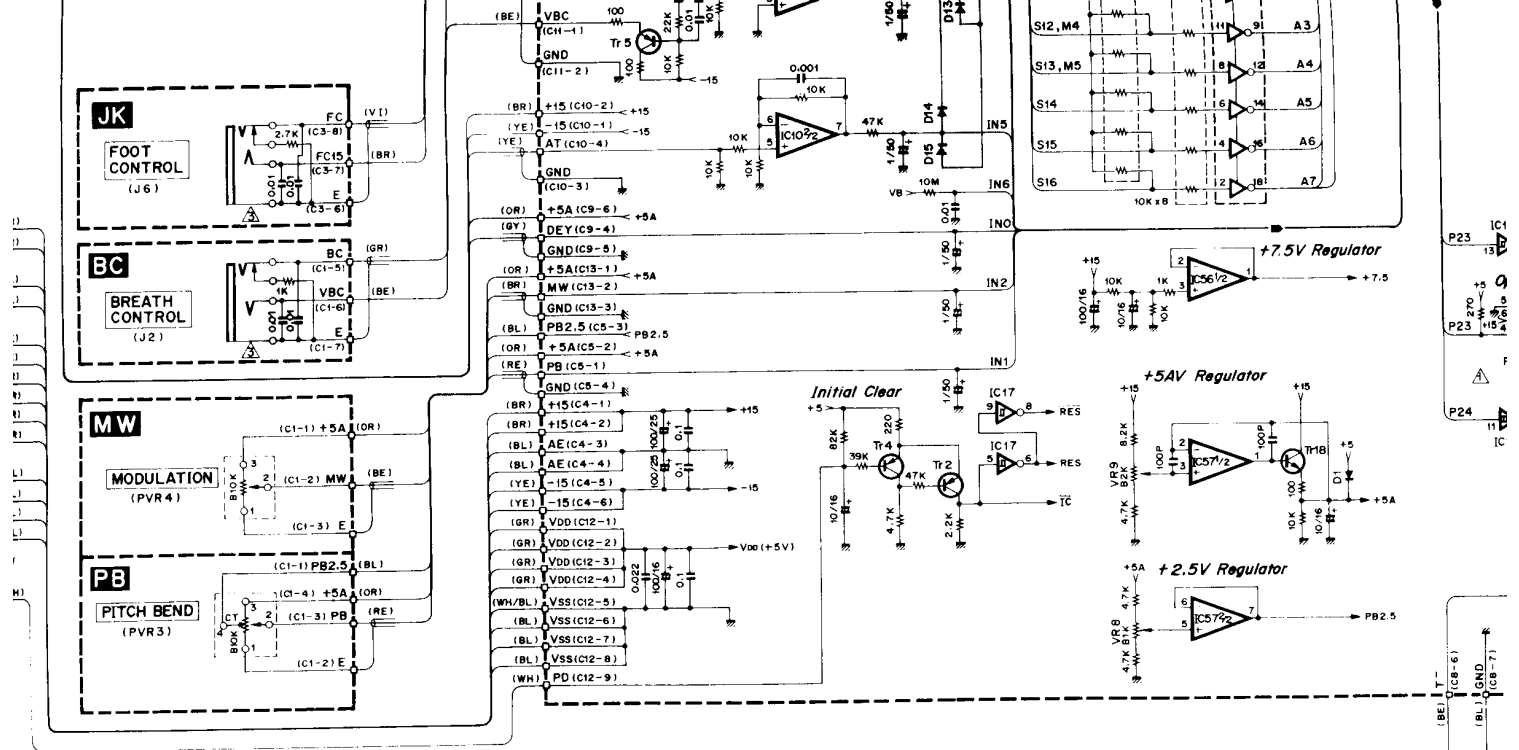
Pin No.	Pin Name	Wire Color	Destination
1	FC15	BR	JK-FC15 (C3-8)
2	GND	S VI S	JK-GND (C3-6)
3	FC	S VI	JK-FC (3-7)
4	DEY	S GY	PNA-DEY (C1-5)
5	GND	S GY S	PNA-GND (C1-7)
6	+5A	OR	PNA+5A (C1-6)
7	-	-	-

Pin No.	Pin Name
1	-15
2	+15
3	GND
4	AT
5	-

Pin No.	Pin Name
1	V <sub>BC</sub>
2	GND
3	BC

Pin No.	Pin Name
1	V <sub>DD</sub>
2	V <sub>DD</sub>
3	V <sub>DD</sub>
4	V <sub>DD</sub>
5	V <sub>ss</sub>
6	V <sub>ss</sub>
7	V <sub>ss</sub>
8	V <sub>ss</sub>
9	PD
10	-

11



**C10**

Pin Name	Wire Color	Destination
-15	YE	AT-15 (C-1)
+15	BR	AT+15 (C-3)
GND	S YE S	AT-E (C-8)
AT	S YE	AT-OUT (C-7)

**C13**

Pin No.	Pin Name	Wire Color	Destination
1	+5A	OR	MW+5A (C1-1)
2	MW	S RE	MW-MW (C1-2)
3	E	S RE S	MW-E (C1-3)

**C16**

Pin No.	Pin Name	Wire Color	Destination
1	S1	BR	PNB-S1 (C3-1)
2	S2	RE	PNB-S2 (C3-2)
3	S3	OR	PNB-S3 (C3-3)
4	S4	YE	PNB-S4 (C3-4)
5	S5	GR	PNB-S5 (C3-5)
6	S6	BE	PNB-S6 (C3-6)
7	S7	VI	PNB-S7 (C3-7)
8	S8	GY	PNB-S8 (C3-8)

**C1**

Pin No.	Pin Name	Wire Color	Destination
1	VR3	S BR S	DM-VR3 (C1-3)
2	VR2	S RE	DM-VR2 (C1-2)
3	VR1	S RE S	DM-VR1 (C1-1)
4			
5	DEY	S GY	DM-DEY (C9-4)
6	+5A	OR	DM+5A (C9-6)
7	GND	S GY S	DM-GND (C9-5)

**C3**

Pin No.	Pin Name	Wire Color	Destination
1	S16	PK	DM-S16 (C15-9)
2	S15	SB	DM-S15 (C15-7)
3	S14	GG	DM-S14 (C15-6)
4	S13	WH	DM-S13 (C15-5)
5	S12	GY	DM-S12 (C15-4)
6	S11	VI	DM-S11 (C15-3)
7	S10	BE	DM-S10 (C15-2)
8	S9	GR	DM-S9 (C15-1)

**C11**

Pin Name	Wire Color	Destination
VBC	BE	HP/BC/VBC (C-6)
GND	S GR S	HP/BC-GND (C-7)
BC	S GR	HP/BC-BC (C-5)

**C14**

Pin No.	Pin Name	Wire Color	Destination
1	SA	BR	PNA-SA (C2-1)
2	SB	RE	PNA-SB (C2-3)
3	SC	OR	PNA-SC (C2-5)
4	SF		
5			

**C2**

Pin No.	Pin Name	Wire Color	Destination
1	SA	BR	DM-SA (C14-1)
2	SA	BR	PNB-SA (C2-1)
3	SB	RE	DM-SB (C14-2)
4	SB	RE	PNB-SB (C2-2)
5	SC	OR	DM-SC (C14-3)
6	SC	OR	PNB-SC (C2-3)

**C4**

Pin No.	Pin Name	Wire Color	Destination
1	S16	PK	PNB-S16 (C1-8)
2	S15	SB	PNB-S15 (C1-7)
3	S14	GG	PNB-S14 (C1-6)
4	S13	WH	PNB-S13 (C1-5)
5	S12	GY	PNB-S12 (C1-4)
6	S11	VI	PNB-S11 (C1-3)
7	S10	BE	PNB-S10 (C1-2)
8	S9	GR	PNB-S9 (C1-1)

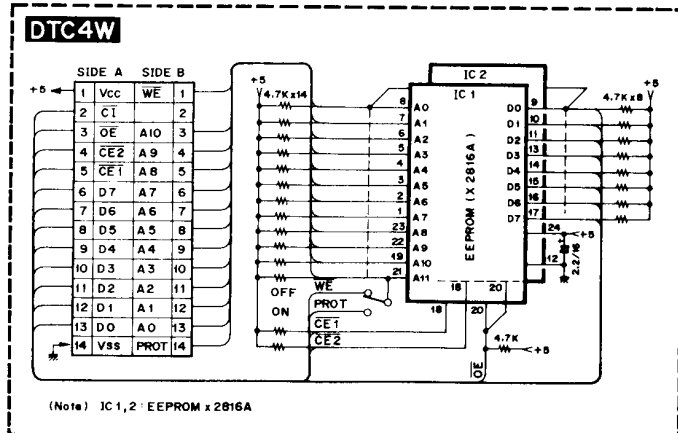
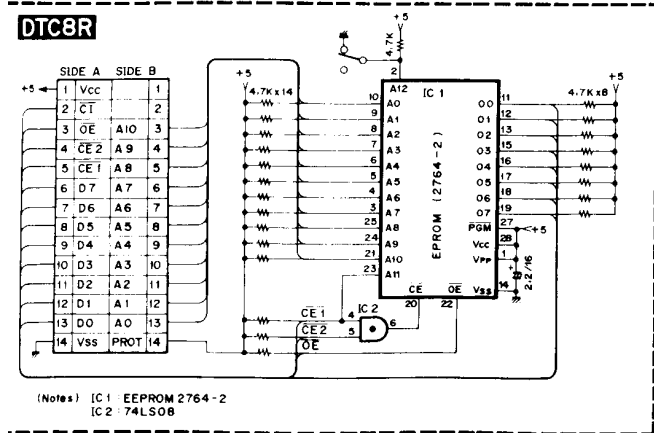
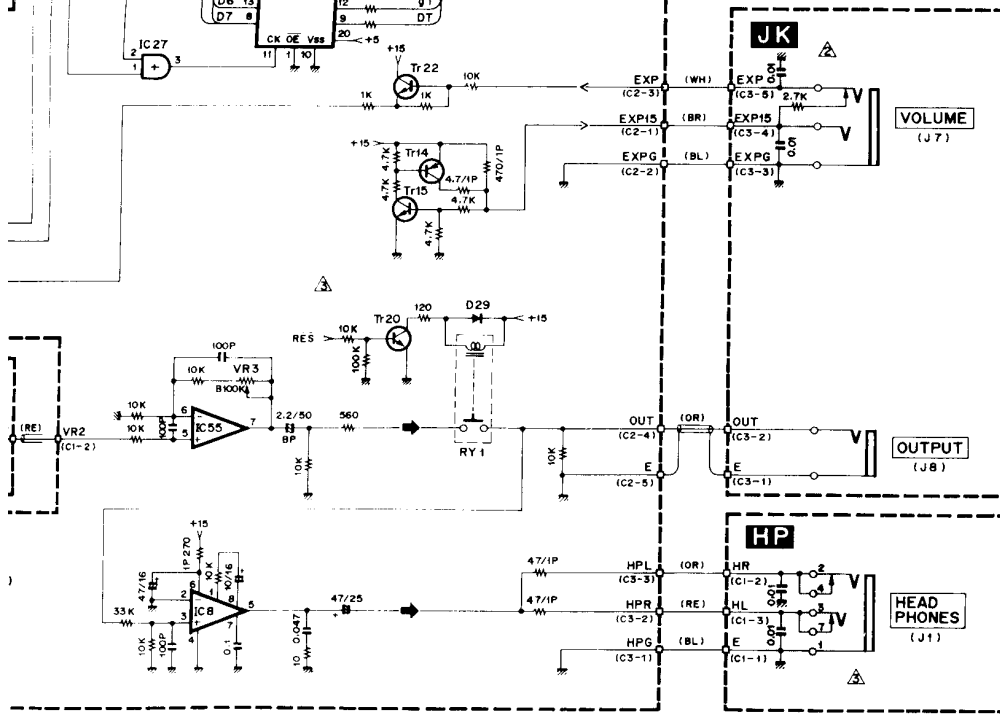
**C12**

Pin Name	Wire Color	Destination
VDD	GR	DC+5 (C5-3)
VDD	GR	DC+5 (C5-4)
VDD	GR	DC+5 (C5-5)
VDD	GR	DC+5 (C5-6)
V <sub>ss</sub>	BL/WH	DC-E (C6-7)
V <sub>ss</sub>	BL/WH	DC-E (C6-8)
V <sub>ss</sub>	BL/WH	DC-E (C6-9)
V <sub>ss</sub>	BL/WH	DC-E (C6-10)
PD	WH	DC-PD (C5-8)

**C15**

Pin No.	Pin Name	Wire Color	Destination
1	S9	GR	PNA-S9 (C3-8)
2	S10	BE	PNA-S10 (C3-7)
3	S11	VI	PNA-S11 (C3-6)
4	S12	GY	PNA-S12 (C3-5)
5	S13	WH	PNA-S13 (C3-4)
6	S14	GG	PNA-S14 (C3-3)
7	S15	SB	PNA-S15 (C3-2)
8	SS		
9	S16	PK	PNA-S16 (C3-1)
10	PS		





DC

C5

Pin No.	Pin Name	Wire Color	Destination
1	+15	BR	DM+15 (C4-1)
2	+15	BR	DM+15 (C4-2)
3	+5	GR	DM-VDD (C12-1)
4	+5	GR	DM-VDD (C12-2)
5	+5	GR	DM-VDD (C12-3)
6	+5	GR	DM-VDD (C12-4)
7	+5	GR	PNB-VDD (C4-1)
8	PD	WH	DM-PD (C12-9)

C6

Pin No.	Pin Name	Wire Color	Destination
1	-15	YE	DM-15 (C4-5)
2	-15	YE	DM-15 (C4-6)
3	E	BL	DM-AE (C4-3)
4	E	BL	DM-AE (C4-4)
5	E	-	-
6	E	BL/WH	PNB-Vss (C4-3)
7	E	BL/WH	DM-Vss (C12-5)
8	E	BL/WH	DM-Vss (C12-6)
9	E	BL/WH	DM-Vss (C12-7)
10	E	BL/WH	DM-Vss (C12-8)

The circuit portions marked with  are newly modified on and after the serial numbers marked with  $\Delta$  as follows:

て示した部分が、印刷番号より変更になります。

- $\Delta$  # 1001 ~
- $\Delta$  # 1101 ~
- $\Delta$  # 2479 ~ 2660, # 2843 ~ (7月生産の国内頭から182台は旧シート)
- $\Delta$  # 2661
- $\Delta$  # 4176